

RAMMER R25P



PERFORMANCE LINE

VIBRATION AND SOUND SUPPRESSED

IDLE BLOW PROTECTION (FIELD ADJUSTABLE ON/OFF)

RAMLUBE II GREASING SYSTEM

RAMDATA II SERVICE INDICATOR

EXCELLENT POWER-TO-WEIGHT RATIO

NITROGEN PISTON ACCUMULATOR

PRESSURE DAMPENING MEMBRANE ACCUMULATOR

QUICK CHANGE TOOL SYSTEM

EASY TO SERVICE

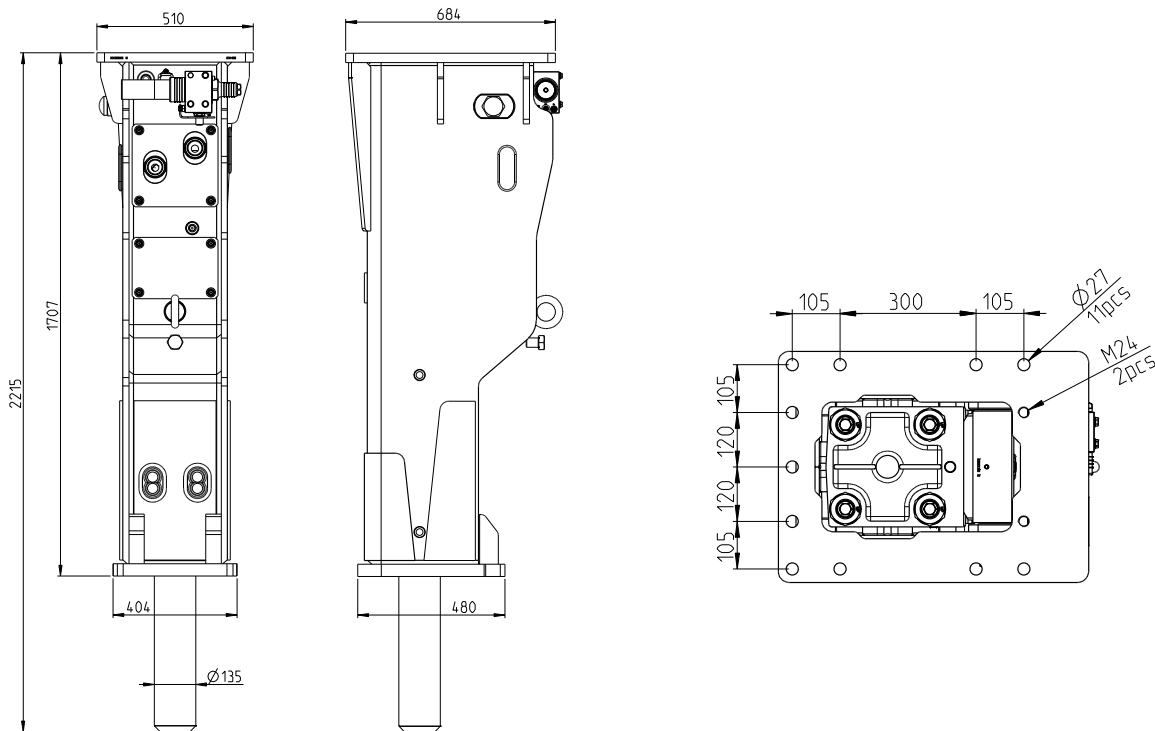


UNBEATABLE PERFORMANCE

The new Rammer Performance Line hammers are your everyday solution for a wide range of breaking demands. Designed with proven Rammer features and standards, these Rammer Performance Line hammers offer more than just excellent power-to-weight ratio, they bring the quality reassurance that only a true Rammer hammer can bring.

Read more about the product from www.rammer.com





ACCESSORIES



Ramlube II

Lubrication system for optimum wear and impact protection.

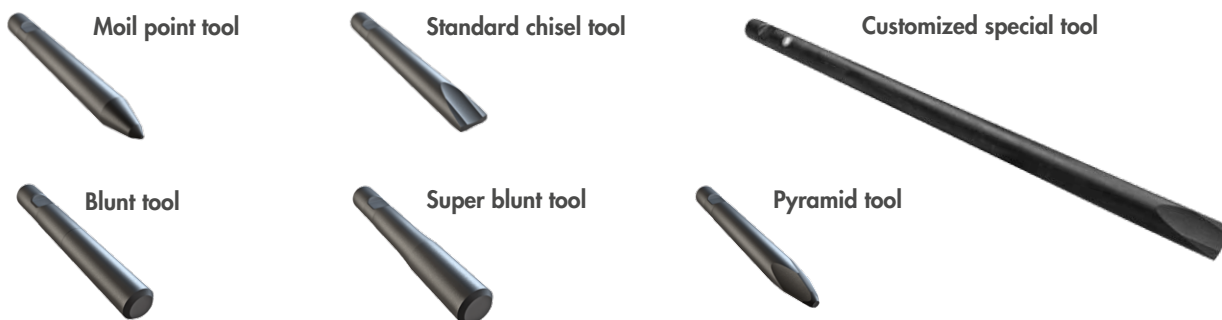


Ramdata II

Gives information about service interval status, service history and accumulated working history.

| | |
|--|---------|
| Minimum working weight, kg | 1650 |
| Impact rate, bpm | 390–700 |
| Operating pressure, bar | 160–180 |
| Pressure relief, min bar | 200 |
| Pressure relief, max bar | 220 |
| Oil flow range, l/min | 130–170 |
| Back pressure, max bar | 10 |
| Input power, kW | 51 |
| Tool diameter, mm | 135 |
| Carrier weight, allowed range, t | 20–29 |
| Noise level, measured sound power level, LWA, dB | 121 |
| Noise level, guaranteed sound power level, LWA, dB | 125 |

TOOLS



1300 921 498 | sales@trswa.com.au | totalrockbreaking.com.au

13 - 15 Panama Street, Canning Vale WA 6155



TRS Total
Rockbreaking
Solutions

ADVICE AND SUPPORT YOU CAN TRUST